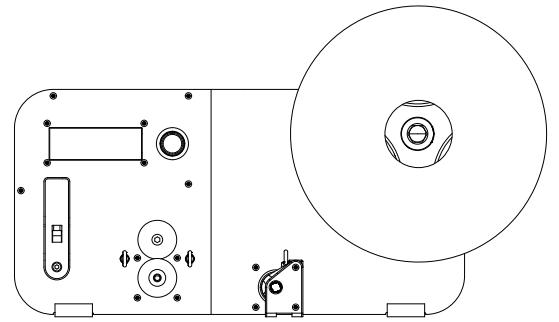
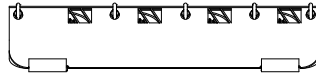
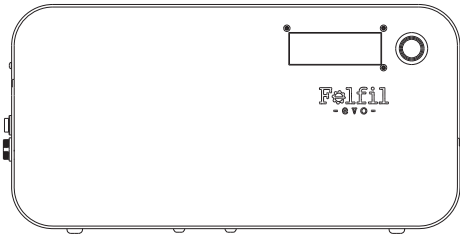


Felfil

filament extruders



Technical Data

Overview

Temperature max.	250°C (300°C on requests)
Heaters	3x40W cartridges
Compatible materials	PLA, ABS, HIPS, PETG, PA(6,12), PMMA, HDPE, LDPE, TPU, TPE, PVA

Output

RPM Range	0-9
Filament diameter range	0,5 - 3mm
Diameter sensor accuracy	10 microns
Nozzle extruder	1,75mm- 2,85 interchangeable

Energy

Consumption average	110 W
Consumption max.	240 W
Voltage	110 - 230 V

Capacity

Hopper volume	1 liter
Spool size	Diameter 220 mm (8.6 inches)
	Width 100 mm (3.9 inches)

Size & Weight

Space needed	100 x 18 x 10 cm
Weight	9 kg